

# CAPITAL



## M/T MILTIADIS M II

**BUILT:** 2006

**CLASS:** LRS

**FLAG:** LIBERIA



**BUILDER:** Daewoo Shipbuilding & Marine Engineering Co., Ltd. - S. Korea

### VESSEL PARTICULARS

Type of vessel:	ICE CLASS 1ASFS, 100A1 DOUBLE HULL OIL TANKER, ESP, LI, SPM
Summer deadweight:	162,396.7 MT
Summer draft:	16.524 m
Summer freeboard:	6.522 m
GRT / NRT:	87,146 / 51,548
LOA:	280.5 m
Beam:	50 m
Depth:	23.05 m
Keel to mast:	53.44 m



### CARGO ARRANGEMENTS

Cargo / slop tanks:	12 / 2
Cargo capacity (98% ex slop tanks):	176,117.8 m <sup>3</sup>
Slop tank capacity (98%):	3,832 m <sup>3</sup>
Cargo tank coating:	Epoxy
Heating arrangement:	Steam - stainless steel
SBT / IGS / COW:	Yes
Number of manifolds on each side:	3 x 550 mm
Distance bow to mid-point manifold:	136.27 m
Distance main deck to center manifold:	2,050 mm
Distance manifolds to ship's rail:	4,600 mm
Natural segregation with double valves:	3
Cranes / SWL:	2 x 20 T



### CARGO PUMPS

Cargo pump type:	Centrifugal
Number of cargo pumps:	3
Capacity of cargo pumps:	3 x 3,700 m <sup>3</sup> / h

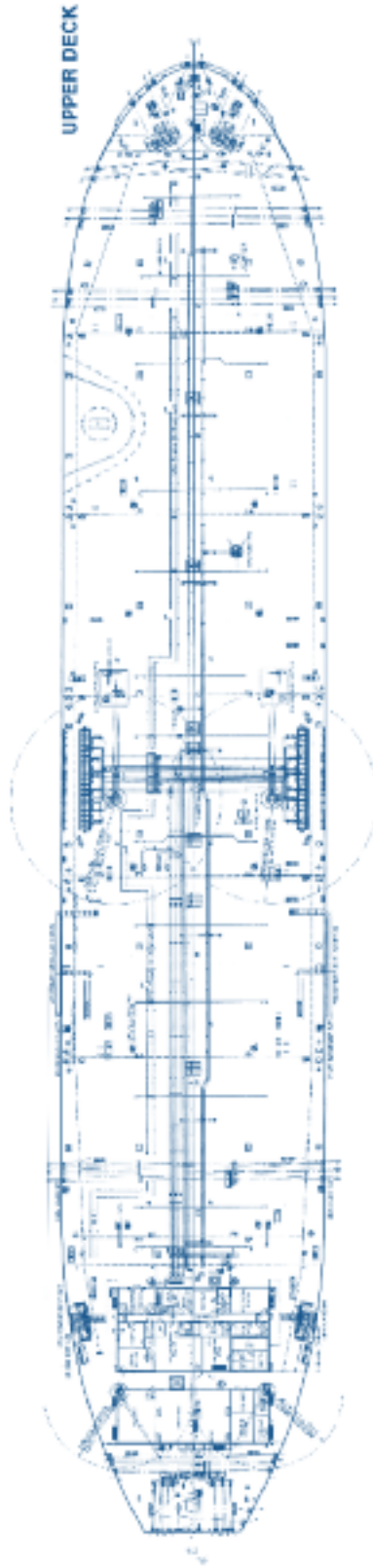
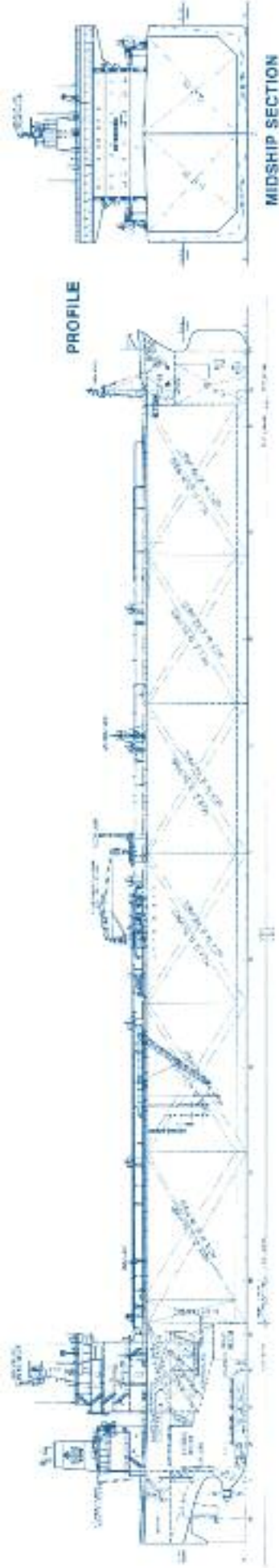
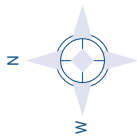
### PROPULSION

Main engine:	B&W 7S70ME-C - MCR 29,540 PS @ 91 RPM
Propeller type:	Controllable pitch propeller
Endurance:	20,400 nautical miles
Generators:	3 x 1,120 kW @ 900 RPM, B&W 7L23 / 30H
Bow thruster:	Yes (1 x 1500 kW)

ALL DETAILS ABOUT



SHIP MANAGEMENT CORP



## M/T MULTIADIS M II

3, Iassonos St., Piraeus 185 37, GREECE  
Tel: +30 210 4584900, Fax: +30 210 4285679  
e-mail: [info@capitalship.gr](mailto:info@capitalship.gr) - [www.capitalship.gr](http://www.capitalship.gr)

