

CAPITAL



M/T AMOUREUX M/T AIAS

BUILT: 2008

CLASS: LRS

FLAG: LIBERIA



BUILDER: Tsu Shipyard, Universal Shipbuilding Corporation, Japan

VESSEL PARTICULARS

Type of vessel:	CRUDE OIL TANKER, 100A1, ESP, LI, LMC, UMS, IGS, SPM, IWS, EP, COW, SBT
Summer deadweight:	149,993 MT
Summer draft:	16.022 m
Summer freeboard:	6.420 m
GRT / NRT:	78,809 / 47,271
LOA:	274 m
Beam:	48.04 m
Depth:	22 m
Keel to mast:	49.89 m



CARGO ARRANGEMENTS

Cargo / slop tanks:	12 / 2
Cargo capacity (98% ex slop tanks):	160,562 m ³
Slop tank capacity (98%):	6,037 m ³
Cargo tank coating:	Epoxy - deckhead to 2 m down & tank bottom to 1 m up
Heating arrangement:	Steam - aluminized steel heating coils Sch 80
SBT / IGS / COW:	Yes
Number of manifolds on each side:	3 x 400 mm
Distance bow to mid-point manifold:	134 m
Distance main deck to center manifold:	2,100 mm
Distance manifolds to ship's rail:	4,600 mm
Natural segregation with double valves:	3
Cranes / SWL:	2 x 15 T



CARGO PUMPS

Cargo pump type:	Centrifugal
Number of cargo pumps:	3
Capacity of cargo pumps:	3 x 3,500 m ³ / h



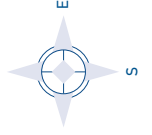
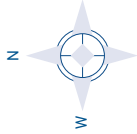
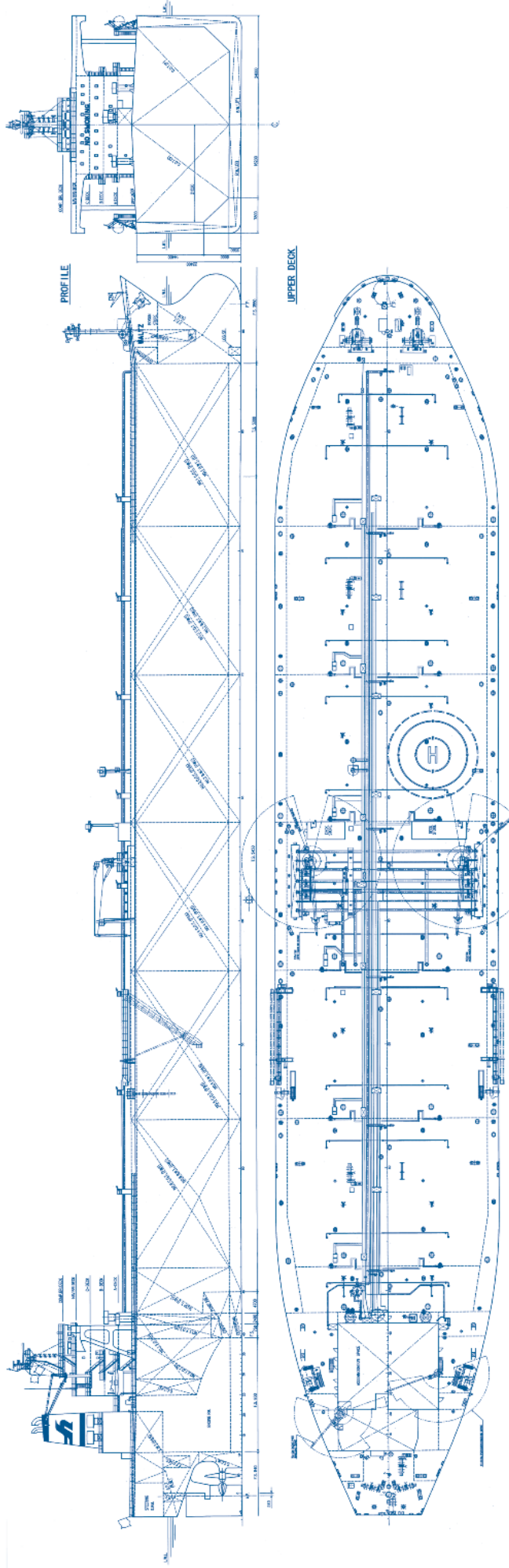
PROPULSION

Main engine:	SULZER 6RTA72 16440 kW / 94 RPM
Propeller type:	Fixed pitch
Generators:	3 diesel generators x YANMER 6N21AL-UV-X800
Bow thruster:	N/A

ALL DETAILS ABOUT



SHIP MANAGEMENT CORP



M/T AMOUREUX M/T AIAS

3, Iassonos St., Piraeus 185 37, GREECE
Tel: +30 210 4584900, Fax: +30 210 4285679
e-mail: info@capitalship.gr - www.capitalship.gr