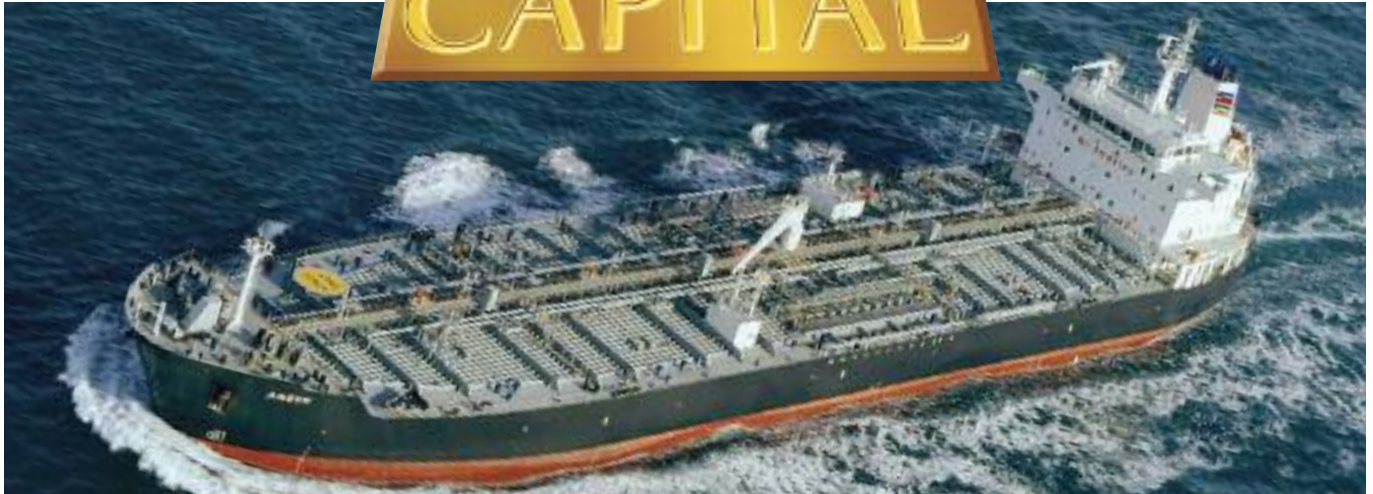


# CAPITAL



## M/T ASSOS

**BUILT:** 2006

**CLASS:** LRS

**FLAG:** LIBERIA



**BUILDER:** Hyundai Mipo Dockyard Company Ltd., S. Korea

### VESSEL PARTICULARS

Type of vessel:	ICE CLASS 1A, OIL, PRODUCT & CHEMICAL TANKER, IMO II/III, 100A1 DOUBLE HULL ESP, LI.
Summer deadweight:	47,823.2 MT
Summer draft:	12.517 m
Summer freeboard:	5.513 m
GRT / NRT:	27,916 / 13,081
LOA:	183.88 m
Beam:	32.20 m
Depth:	18.00 m
Keel to mast:	46.55 m



### CARGO ARRANGEMENTS

Cargo / slop tanks:	12/2
Cargo capacity (98% ex slop tanks):	49,565 m <sup>3</sup>
Slop tank capacity (98%):	1,006 m <sup>3</sup>
Cargo tank coating:	Phenolic Epoxy
Heating arrangement:	12 units heat exchangers SUS 316L cargo tanks heating coils SUS 316L slop tanks
SBT / IGS/ COW:	Yes
Number of manifolds on each side:	6 x 12" cargo + 2 x 8" slop
Distance bow to mid-point manifold:	92.88 m
Distance main deck to center manifold:	2,100 mm
Distance manifolds to ship's rail:	4,600 mm
Natural segregation with double valves:	6 + 1
Cranes / SWL:	1 x 10 T



### CARGO PUMPS

Cargo pump type:	Hydraulic driven, submerged centrifugal Framo pumps
Number of cargo pumps:	12 + 2
Capacity of cargo pumps:	12 x 600 m <sup>3</sup> / hr + 2 x 300 m <sup>3</sup> / hr

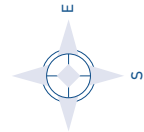
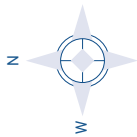
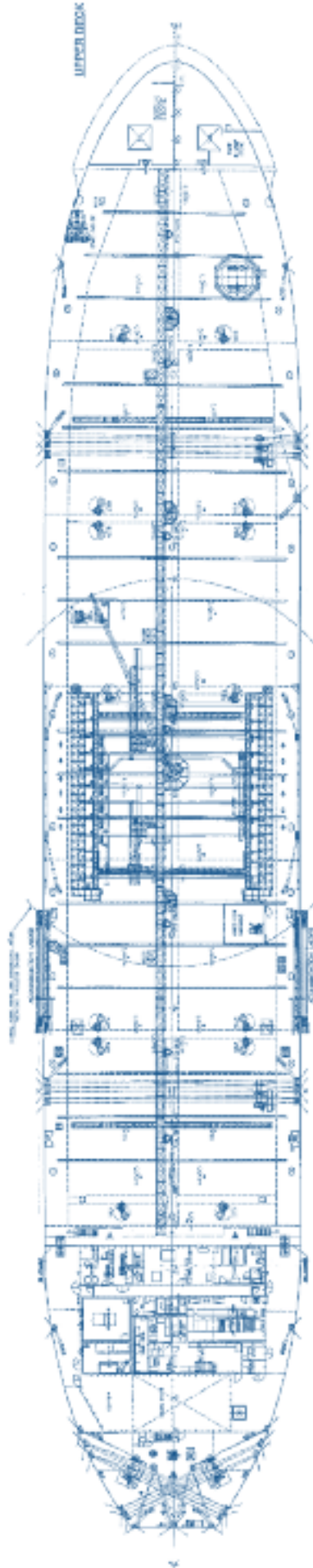
### PROPULSION

Main engine:	B&W 7S50MC-C - MCR 15,820 bhp @ 127 RPM
Propeller type:	Controllable pitch propeller
Generators:	2 x 900 kW @ 720 RPM + 1 x 740 kW @ 720 RPM
Bow thruster:	N/A

ALL DETAILS ABOUT



SHIP MANAGEMENT CORP



## M/T ASSOS

3, Iassonos St., Piraeus 185 37, GREECE  
Tel: +30 210 4584900, Fax: +30 210 4285679  
e-mail: [info@capitalship.gr](mailto:info@capitalship.gr) - [www.capitalship.gr](http://www.capitalship.gr)